

HANG- EN SLUITWERK

# Systemen 2



Reken op ons.

Auerhaan Lelystad is een bedrijf met een zeer lange historie; opgericht in 1885, is het bedrijf een bekende en betrouwbare toeleverancier van producten voor de carrosseriebouw, busbouw, machinebouw, scheepsbouw en jachtbouw. Vele vertegenwoordigingen van gerenommeerde fabrikanten in Europa en daarbuiten maken het productassortiment van Auerhaan tot een zeer breed programma. Het mag u dan ook duidelijk zijn dat de informatie die wij u geven via deze website nooit compleet kan zijn.



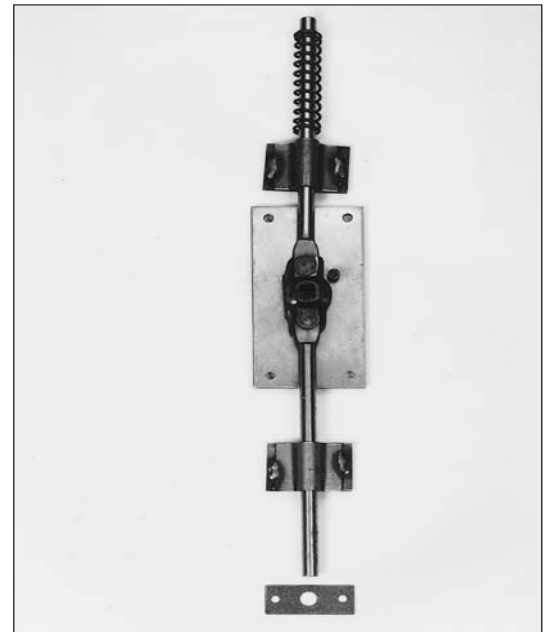
# Rod Locks

		A	B	C	D	E	F	G	H
<b>2298/002</b>		<b>Weight 1.21kg/2.7lb</b>							
METRIC (mm)		37	121	63	45	105	9.5	5	
IMPERIAL (ins)		1.46	4.76	2.48	1.77	4.13	0.38	0.2	

		A	B	C	D	E	F	G	H
<b>2298/003</b>		<b>Weight 50g/1.8oz</b>							
METRIC (mm)		40	32	10	13	2	2		
IMPERIAL (ins)		1.58	1.26	0.4	0.51	0.08	0.08		

		A	B	C	D	E	F	G	H
<b>2298/004</b>		<b>Weight 10g/0.4oz</b>							
METRIC (mm)		68	16	1.5	13				
IMPERIAL (ins)		2.68	0.63	0.06	0.51				

		A	B	C	D	E	F	G	H
<b>2298/006</b>		<b>Weight 10g/0.4oz</b>							
METRIC (mm)		50	19	38	1.5	9.5	4		
IMPERIAL (ins)		1.97	0.75	1.5	0.06	0.38	0.16		



## HANDLES, LOCKS & LATCHES

T 0320 - 28 61 71 | [www.auerhaan-lelystad.nl](http://www.auerhaan-lelystad.nl)

Reken op ons.

# Compartment Locks

**COMPRESSION LATCH**

Zinc die-cast body with a zinc plated steel rear clamp plate & screw. Polished chrome or black powder coat finish. Suitable for panels upto 5mm thick. Other key combinations available on request.

	A	B	C	D	E	F	G	H
<b>1191/13001</b>	<b>Locking/black</b>		<b>Weight 250g/8.8oz</b>		1-25mm grip range			
<b>1191/13051</b>	<b>Non-locking/black</b>		<b>Weight 250g/8.8oz</b>		1-25mm grip range			
<b>1191/13002</b>	<b>Locking/chrome</b>		<b>Weight 250g/8.8oz</b>		1-25mm grip range			
<b>1191/13052</b>	<b>Non-locking/chrome</b>		<b>Weight 250g/8.8oz</b>		1-25mm grip range			
METRIC (mm)	109	31.0	16.0	32.0	35.0	2.50	10.0	12.5
IMPERIAL (ins)	4.29	1.22	0.63	1.26	1.38	0.10	0.39	0.49



**SEALED COMPRESSION LATCH**

Black polyamide casing & handle with a zinc die-cast shaft. Stainless steel shuttered locking cylinder with 1 key supplied. Supplied with a zinc plated, pressed steel clamp plate. Integral PUR foam seal - rated to IP 65. 90° rotation to operate with 3mm compression on closure. \* Dimension G refers to cam (not supplied) specification, refer below for details. 25mm x 70mm cut-out required.

	A	B	C	D	E	F	G	H
<b>1152/001</b>	<b>Keyed random</b>		<b>Weight 147g/5.2oz</b>					
<b>1152/002</b>	<b>Keyed alike</b>		<b>Weight 147g/5.2oz</b>					
METRIC (mm)	36	70	9.0	22.5	2.0	28	*	
IMPERIAL (ins)	1.42	2.76	0.35	0.89	0.08	1.10		



NB. cam supplied separately, refer below for details.

• CAMS • CAMS • CAMS • CAMS • CAMS • CAMS • CAMS • CAMS • CAMS • CAMS • CAMS • CAMS •							
DIM G	PART NUMBER	DIM G	PART NUMBER	DIM G	PART NUMBER	DIM G	PART NUMBER
14	9790/014	16	9790/012	18	9790/010	20	9790/008
23	9790/005	24	9790/004	26	9790/002	28	9790/000
30	9790/102	32	9790/104	34	9790/106	35	9790/107
36	9790/108	38	9790/110	40	9790/112		

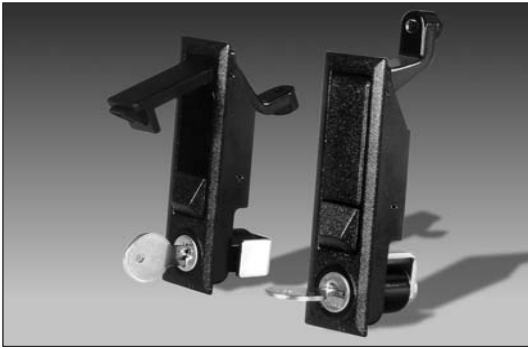
Other cams sizes available on request, subject to minimum order quantities.

## HANDLES, LOCKS & LATCHES

T 0320 - 28 61 71 | [www.auerhaan-lelystad.nl](http://www.auerhaan-lelystad.nl)

Reken op ons.





**'TRIGGER' LATCH**

Push button action with the facility to adjust compression force via a threaded striker bolt. A black, powder coated, zinc-alloy die cast body with zinc plated internal components. Supplied with a single key along with a zinc plated steel clamp plate. Panel thickness range: 0.8mm min. to 8mm max.

	A	B	C	D	E	F	G	H
<b>1192/0534</b>								
<b>Weight 220g/7.8oz</b>								
METRIC (mm)	104	30	33	6	17	12.7	3.2	19
IMPERIAL (ins)	4.10	1.18	1.30	0.24	0.67	0.50	0.13	0.75



**SEALED COMPRESSION LATCH**

Zinc, die-cast body with black, powder coated finish. Lockable with two keys supplied. Push button release. Zinc plated steel clamp plate supplied. Grip range: 1mm to 14mm. For use in NEMA 4 & IP66 applications. Optional gasket available.

grip range: 1-14mm

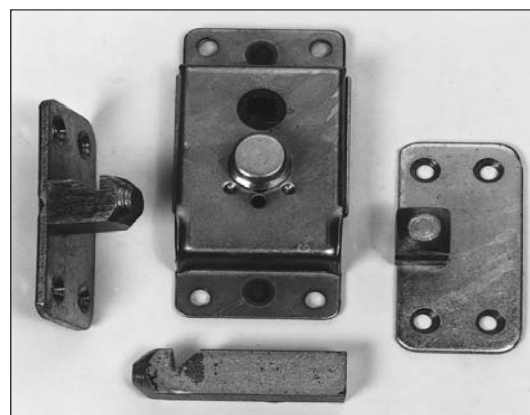
panel thickness: 11-21mm

	A	B	C	D	E	F	G	H
<b>9530/0523</b>								
<b>Weight 370g/13.1oz</b>								
METRIC (mm)	110	50	85	22	29	15		
IMPERIAL (ins)	4.33	1.97	3.35	0.87	1.14	0.59		
<b>9530/0520</b>	<b>Gasket</b>							

## HANDLES, LOCKS & LATCHES

# Sliding Door Locks

		A	B	C	D	E	F	G	H
<b>2092/005</b>		<b>Locking</b>			<b>Weight 310g/11oz</b>				
<b>2092/006</b>		<b>Non-locking</b>			<b>Weight 300g/10.6oz</b>				
METRIC (mm)		106	52	34.5	92	6.5	70	21	31
IMPERIAL (ins)		4.17	2	1.36	3.62	0.26	2.76	0.83	1.22



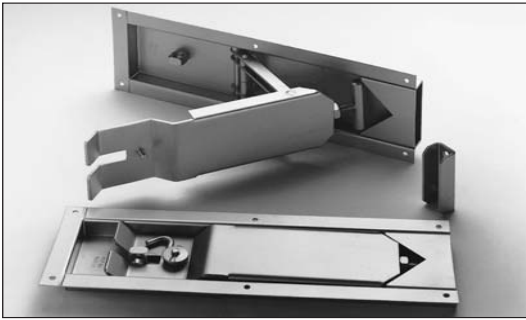
		A	B	C	D	E	F	G	H	
<b>2092/004</b>		<b>Weight 120g/4.2oz</b>								
METRIC (mm)		64	45	11	16					
IMPERIAL (ins)		2.52	1.77	0.43	0.63					

		A	B	C	D	E	F	G	H
<b>2092/003</b>		<b>Left hand (shown)</b>			<b>Weight 110g/3.9oz</b>				
<b>2092/013</b>		<b>Right hand</b>							
METRIC (mm)		77	40	20	55	5.5	16	3	24
IMPERIAL (ins)		3.03	1.58	0.79	2.17	0.22	0.63	0.12	0.95

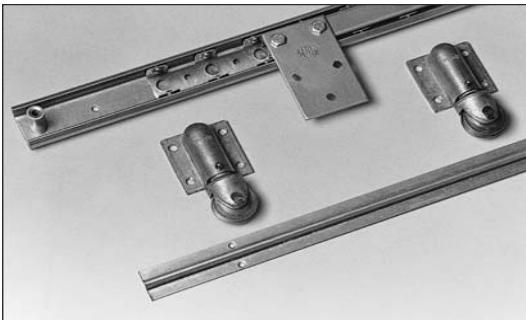
## HANDLES, LOCKS & LATCHES

T 0320 - 28 61 71 | [www.auerhaan-lelystad.nl](http://www.auerhaan-lelystad.nl)

Reken op ons.



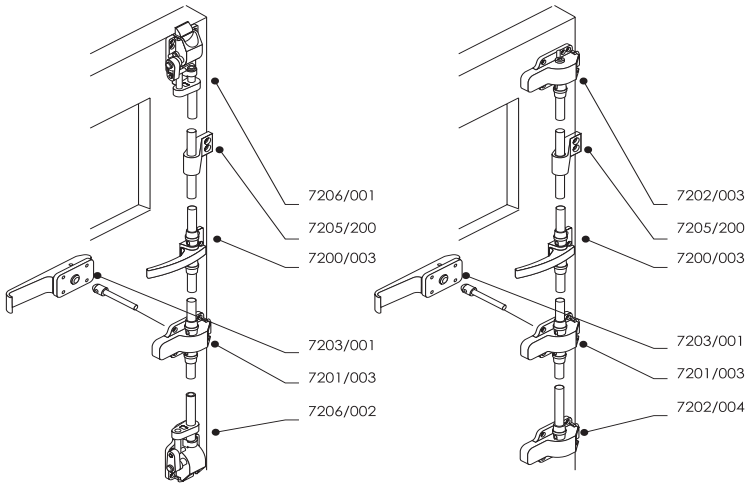
		A	B	C	D	E	F	G	H
<b>3003/002</b>						<b>Weight 1.6kg/3.5lb</b>			
METRIC (mm)		343	114	20	5				
IMPERIAL (ins)		13.5	4.5	0.8	0.2				



		E		F		G		H	
<b>2063/001</b>		<b>Sliding door top runner</b>		with ball bearing action		1218mm (48") track for 610mm (24") door.		Galvanised finish.	
<b>2063/002</b>		<b>Bottom track</b>		Galvanised finish.					
<b>2064/001</b>		<b>Bottom roller guide</b>		Spring loaded, Die cast.					

## HANDLES, LOCKS & LATCHES

# Emergency Door Gear



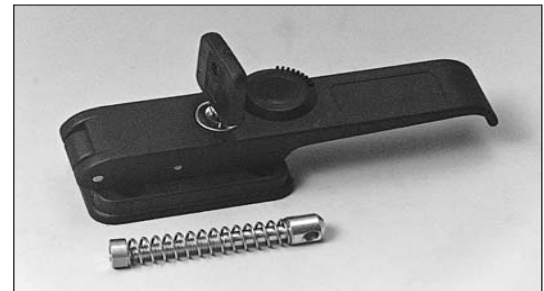
## emergency door gear

A range of emergency door gear which has been developed to meet the vehicle industry's specific requirements for ergonomically engineered products, that reflect today's advanced vehicle environments. The extensive range of components offer the designer greater versatility with the added advantage of immediate availability.

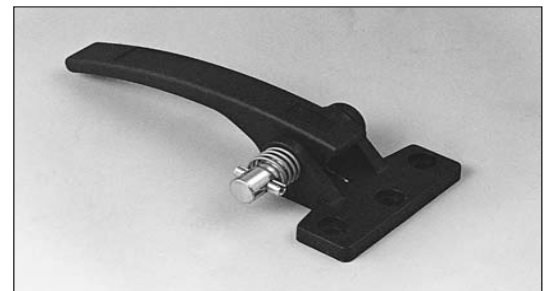
Utilizing the latest materials and manufacturing technology, a combination of strength and style is achieved by using reinforced polyamide and good aesthetic design.

With simple geometric styling enlivened with subtle curves the emergency door gear, particularly the handles, are comfortable to use and reassuringly robust.

		EXTERIOR HANDLE							
		Black, glass-fibre polyamide body with zinc-plated, steel components. Can be fitted left or right hand, horizontally or vertically.							
		A	B	C	D	E	F	G	H
7203/001	Non locking	Weight 80g/2.8oz							
7203/002	Locking								
	METRIC (mm)	104	52	26	35	43	28.5	20	5.2
	IMPERIAL (ins)	4.10	2.05	1.02	1.38	1.69	1.12	0.79	0.21
7204/001	55mm exterior linkage kit								
	For panels 34 to 46mm thick								
7204/002	65mm exterior linkage kit								
	For panels 43 to 56mm thick								



		INTERIOR HANDLE							
		Black, glass-fibre polyamide with zinc-plated, steel components.							
		A	B	C	D	E	F	G	H
7200/001	Type 'B' (shown)	Weight 100g/3.5oz							
7200/002	Type 'A'								
7200/003	Centre mount								
	METRIC (mm)	110	32	43	16	70.5	22	34	5.2
	IMPERIAL (ins)	4.33	1.26	1.69	0.63	2.78	0.87	1.34	0.21



7200/001 - Interior handle, type 'B'.

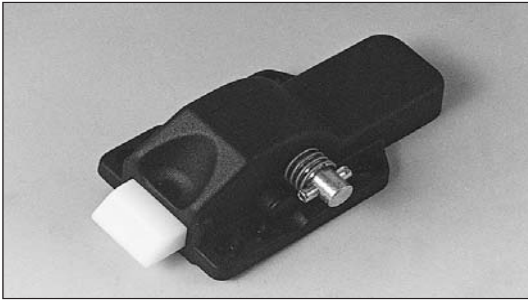
## DOOR & WINDOW FITTINGS

T 0320 - 28 61 71 | [www.auerhaan-lelystad.nl](http://www.auerhaan-lelystad.nl)

Reken op ons.

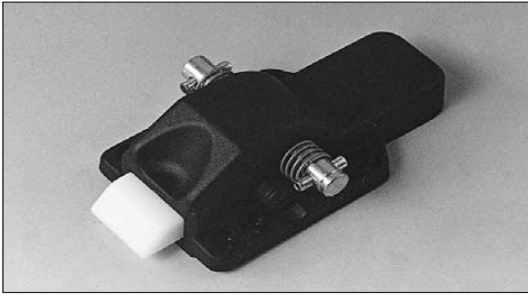






7202/001 - Horizontal end slam, type 'B'

		A	B	C	D	E	F	G	H
<b>HORIZONTAL END SLAM</b>		Black, glass-fibre polyamide body with a acetalic resin striker. Zinc-plated, steel components.							
See part number below		Weight 210g/7.4oz							
METRIC (mm)		121	16	3	47	4.5	69	23	5.2
IMPERIAL (ins)		4.76	0.63	0.12	1.85	0.18	2.72	0.91	0.21
<b>7202/001</b>	<b>Type 'B' (shown)</b>	With exterior linkage facility.							
<b>7202/002</b>	<b>Type 'A'</b>	With exterior linkage facility.							
<b>7202/003</b>	<b>Type 'A'</b>	Weight 210g/7.4oz							
		Without exterior linkage facility.							
<b>7202/004</b>	<b>Type 'B'</b>	Without exterior linkage facility							



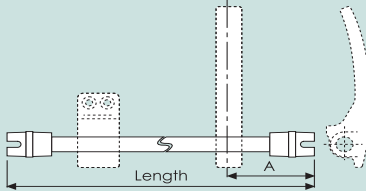
7201/001 - Centre slam

		A	B	C	D	E	F	G	H
<b>HORIZONTAL CENTRE SLAM</b>		Black, glass-fibre polyamide body with a acetalic resin striker. Zinc-plated, steel components.							
See part number below		Weight 210g/7.4oz							
METRIC (mm)		121	16	3	47	4.5	69	23	5.2
IMPERIAL (ins)		4.76	0.63	0.12	1.85	0.18	2.72	0.91	0.21
<b>7201/001</b>	<b>Centre slam (shown)</b>	Without exterior linkage facility.							
<b>7201/003</b>	<b>Centre slam</b>	With exterior linkage facility.							

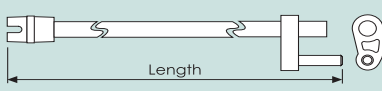


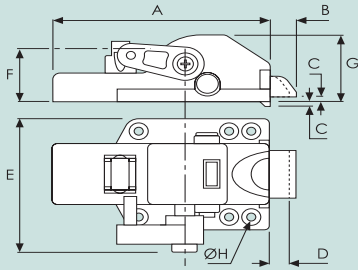
		A	B	C	D	E	F	G	H
<b>DRIVE ROD CONNECTOR</b>		With exterior linkage facility. For use with vertical drive rods. Black, glass-fibre polyamide body with Zinc-plated, steel components.							
<b>7201/004</b>		Weight 190g/6.7oz							
METRIC (mm)		69	82	42	36	48	23	52	63
IMPERIAL (ins)		2.72	3.23	1.65	1.42	1.89	0.91	2.05	2.48

## DOOR & WINDOW FITTINGS

			DRIVE RODS
7205/001	570mm drive rod	Weight 120g/4.2oz	For horizontal slams. Black, painted steel with two glass-fibre polyamide, rod-end couplings.
Complete with mounting bracket			
7205/002	360mm drive rod	Weight 110g/3.9oz	Supplied with 1 rod-end coupling only.
7205/003	413mm drive rod	Weight 190g/6.7oz	
7205/004	780mm drive rod	Weight 310g/11oz	
7205/008	762mm drive rod	Weight 240g/8.5oz	
With interior handle fixed at 72mm/2.84" (dim A)			
7205/009	780mm drive rod	Weight 250g/8.8oz	
With interior handle fixed at 72mm/2.84" (dim A)			



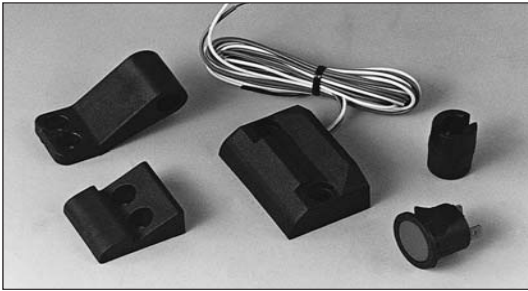
			DRIVE RODS
7205/005	895mm, type 'A'	Weight 290g/10.2oz	Black, painted steel with one standard rod-end coupling and one drive coupling to suit vertical slams (see below).
7205/006	895mm, type 'B'	Weight 290g/10.2oz	

			VERTICAL END SLAMS					
7206/001	Type 'A'	Weight 210g/7.4oz	Black, glass-fibre polyamide body with a acetalic resin striker. Zinc-plated, steel components.					
7206/002	Type 'B' (shown)							
METRIC (mm)	A	B	C	D	E	F	G	H
IMPERIAL (ins)	4.76	0.63	0.12	0.24	3.39	1.06	1.65	0.21



7206/002 - Vertical end slam

## DOOR & WINDOW FITTINGS



		DRIVE-ROD END-COUPLING				Black, glass-fibre polyamide.			
		A	B	C	D	E	F	G	H
<b>7205/100</b>		<b>Weight 10g/0.4oz</b>							
METRIC (mm)		20.5	32.0	17.0	5.00	11.5	11.0		
IMPERIAL (ins)		0.81	1.26	0.67	0.20	0.45	0.43		

		DRIVE-ROD MOUNTING BRACKET				Black, glass-fibre polyamide.			
		A	B	C	D	E	F	G	H
<b>7205/200</b>		<b>Weight 20g/0.7oz</b>							
METRIC (mm)		23	29.5	7	43	8	5.2	13	12
IMPERIAL (ins)		0.91	1.16	0.27	1.69	0.32	0.21	0.51	0.47

		STRIKER				Black, glass-fibre polyamide.			
		A	B	C	D	E	F	G	H
<b>7205/050</b>		<b>Weight 10g/0.4oz</b>							
METRIC (mm)		36	16	40	23.5	17	7	12.5	5.2
IMPERIAL (ins)		1.42	1.02	1.58	0.93	0.67	0.28	0.49	0.21

		STRIKER WITH MICRO-SWITCH				Black, glass-fibre polyamide.			
		A	B	C	D	E	F	G	H
<b>7205/051</b>		<b>Weight 60g/2.1oz</b>							
METRIC (mm)		61	45	23	17	40	20	27	5.2
IMPERIAL (ins)		2.40	1.77	0.91	0.67	1.58	0.79	1.06	0.21

		DRIVERS WARNING LIGHT				Various plastics.			
		A	B	C	D	E	F	G	H
<b>7205/052</b>		<b>Weight 10g/0.4oz</b>							
METRIC (mm)		28	2	19	23				
IMPERIAL (ins)		1.10	0.08	0.75	0.91				

## DOOR & WINDOW FITTINGS

Platinastraat 21  
8211 AR Lelystad  
Postbus 22  
8200 AA Lelystad

T 0320 - 28 61 71 | [lelystad@auerhaan.nl](mailto:lelystad@auerhaan.nl)  
F 0320 - 28 61 70 | [www.auerhaan-lelystad.nl](http://www.auerhaan-lelystad.nl)

**Reken op ons.**

